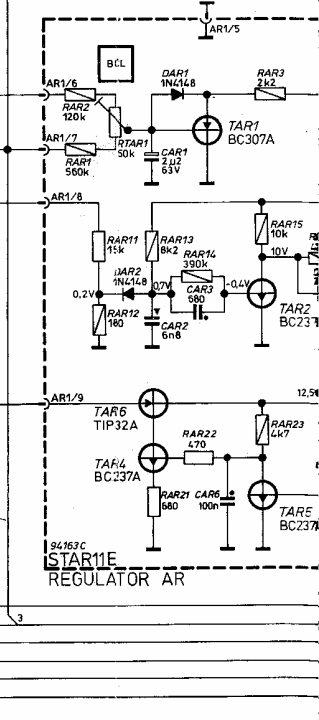
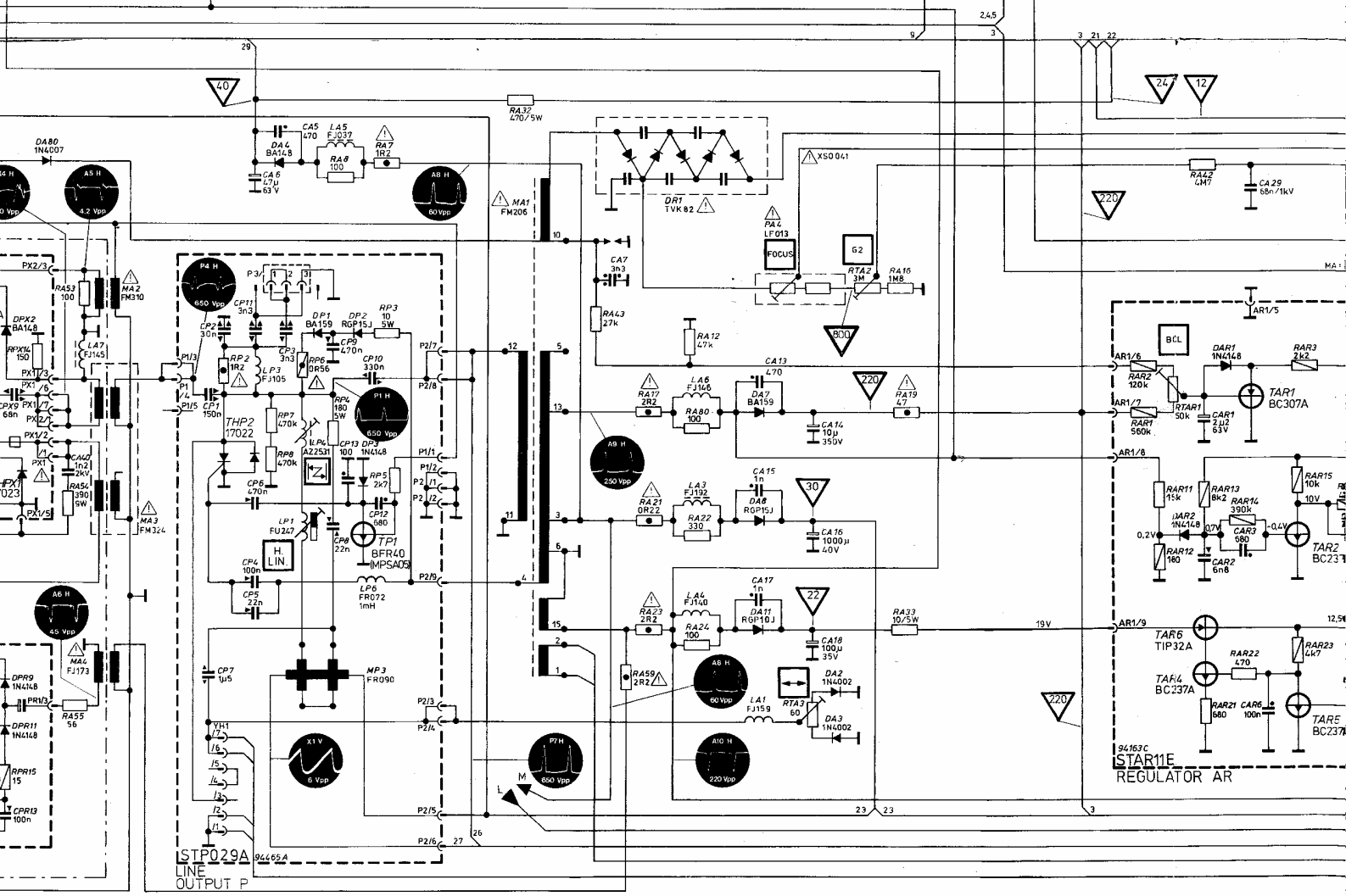
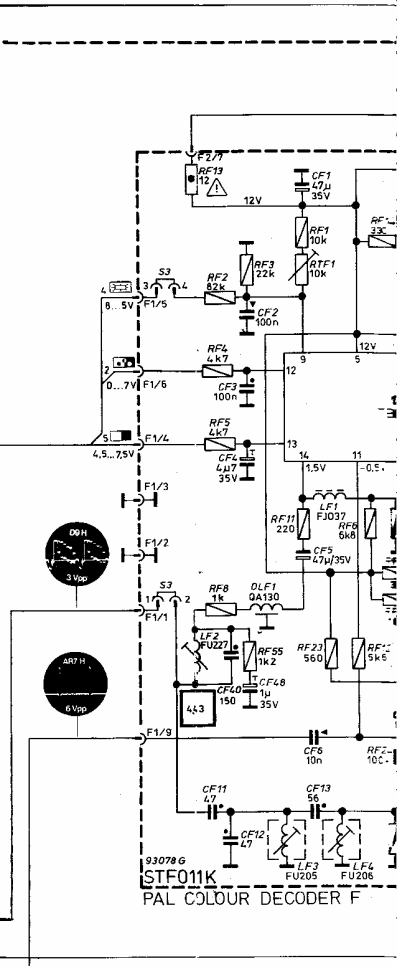
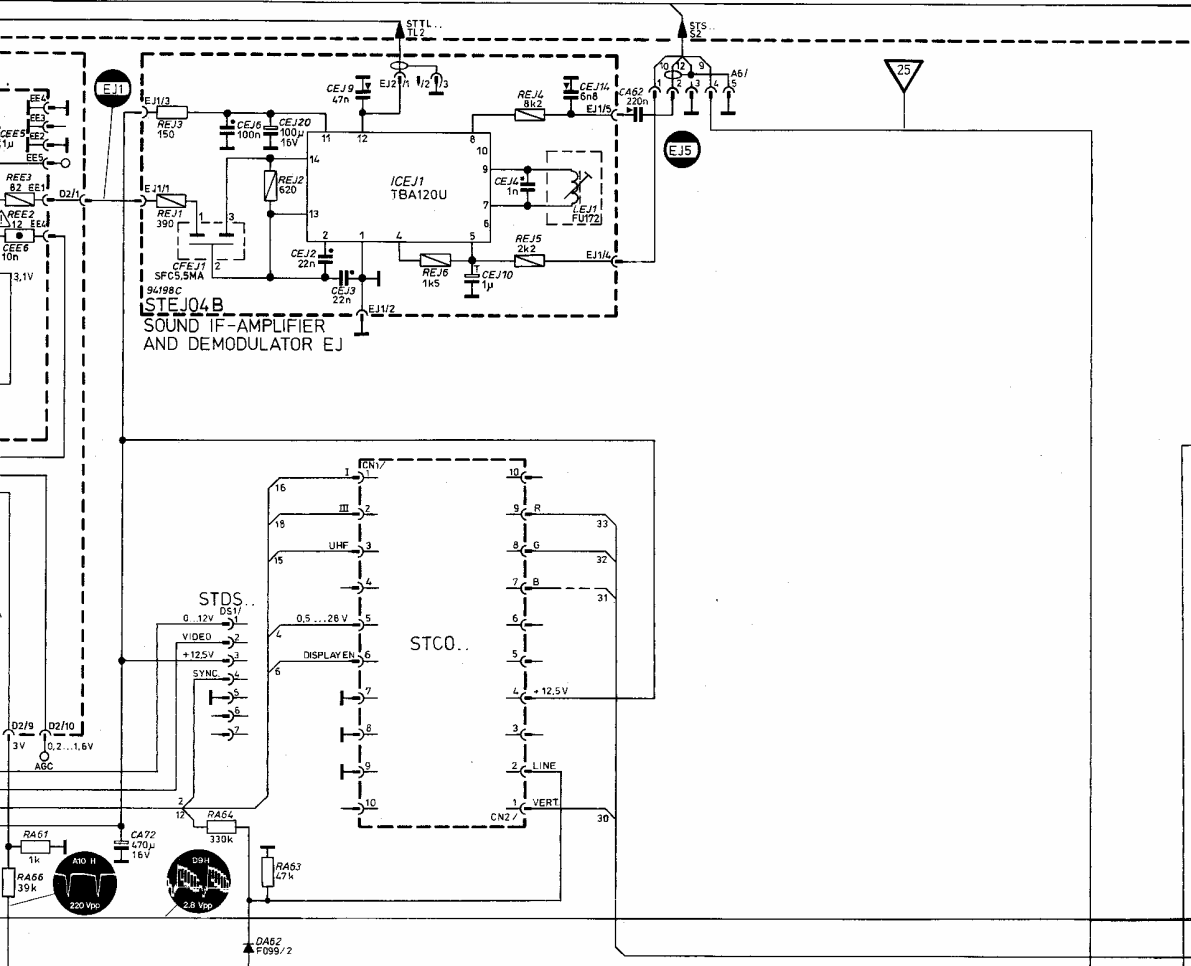
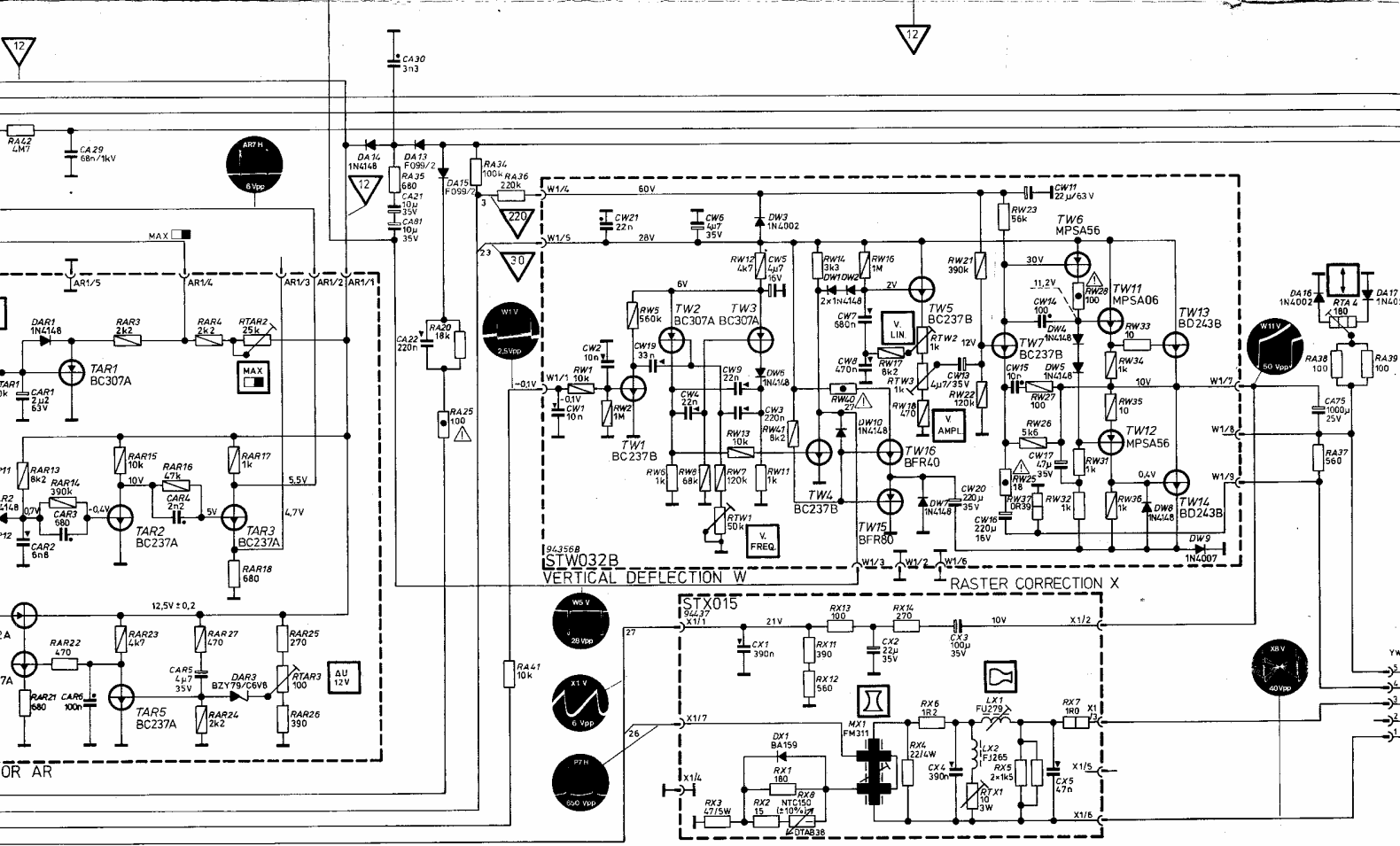
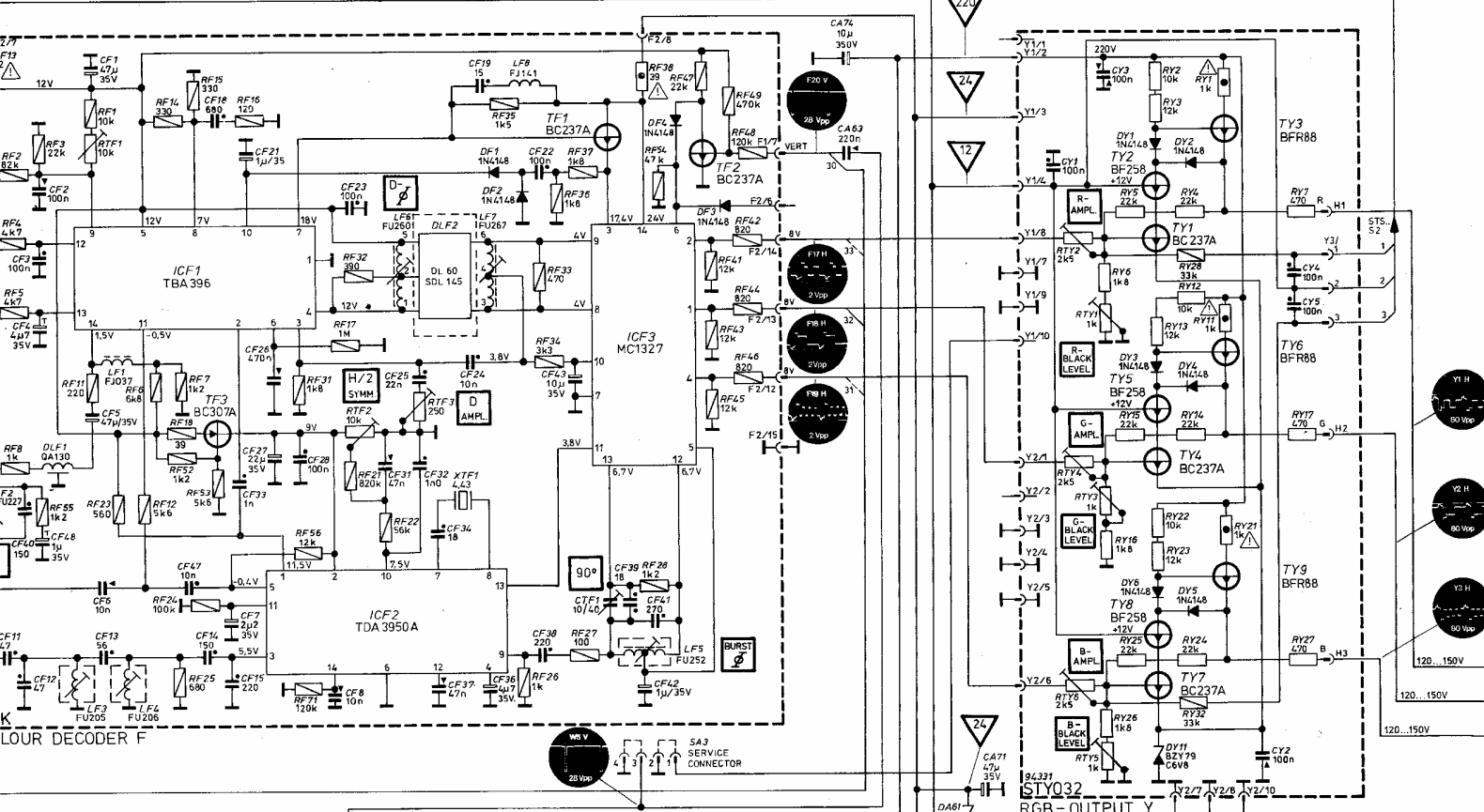
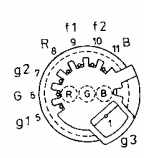
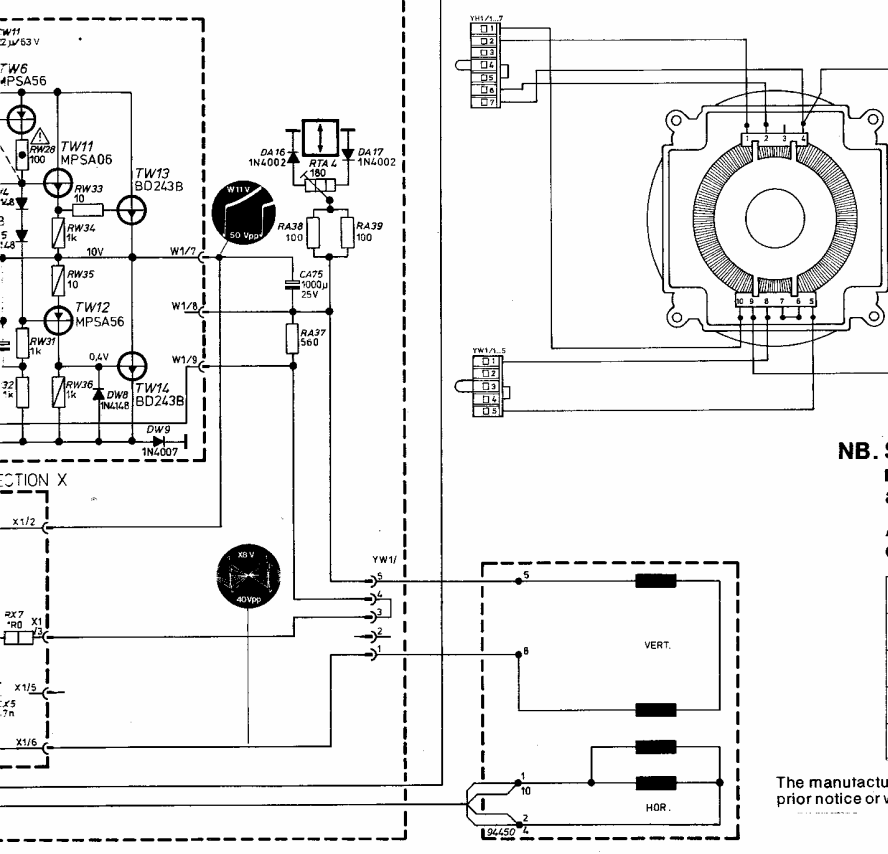
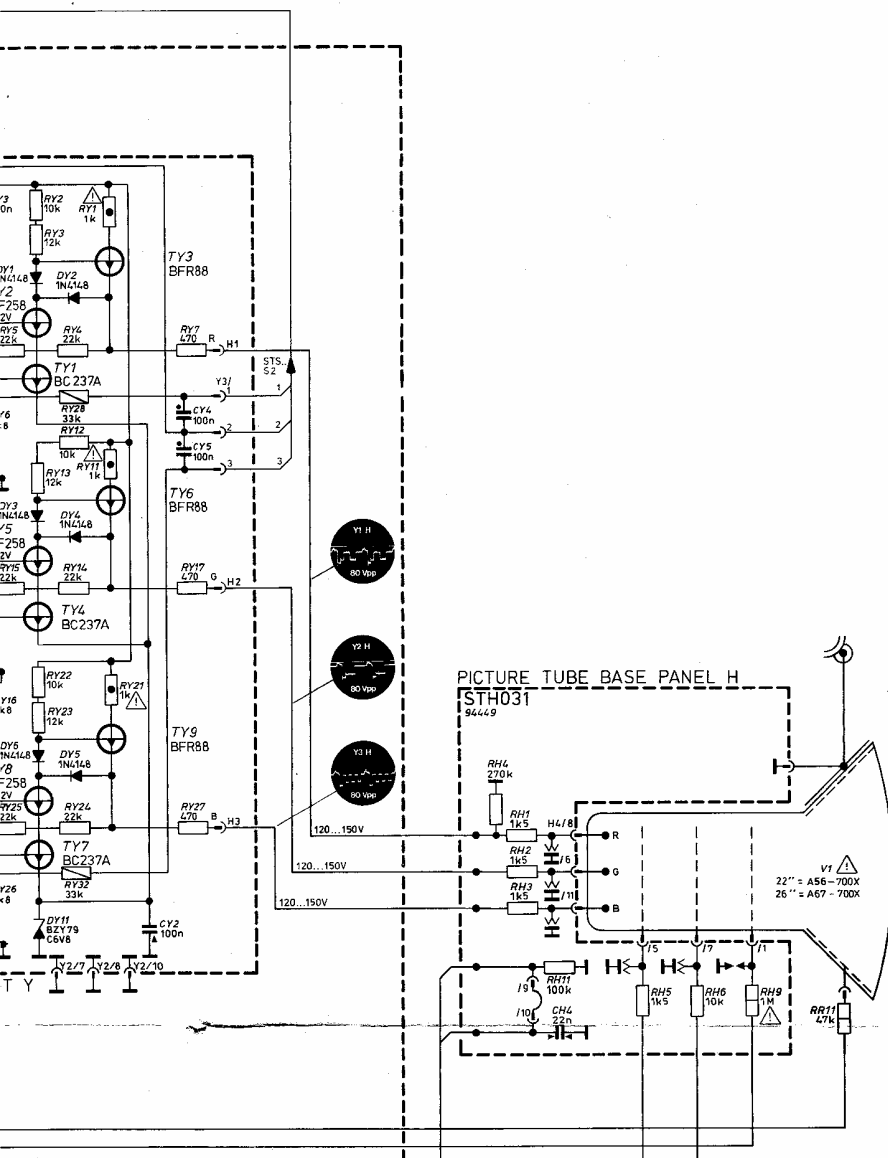


STA033B = 22"
 STA031B = 26"







NB. Safety components marked with Δ must be replaced with original or approved components only.
All printed boards and the back cover are also safety components.

Symbol	Ceram.	Polystyrene	Polyester Polycarb.	Polypropylen
	$\text{---} \parallel \text{---} \approx 63 \text{ V}$	$\text{---} \parallel \text{---} \approx 63 \text{ V}$	$\text{---} \parallel \text{---} 100 \text{ V}$	$\text{---} \parallel \text{---} 1,5 \text{ kV}$
	$\text{---} \parallel \text{---} 160 \text{ V}$	$\text{---} \parallel \text{---} 160 \text{ V}$	$\text{---} \parallel \text{---} 160 \text{ V}$	Tantalum
	$\text{---} \parallel \text{---} 250 \text{ V}$	$\text{---} \parallel \text{---} 250 \text{ V}$	$\text{---} \parallel \text{---} 250 \text{ V}$	Paper
	$\text{---} \parallel \text{---} 500 \text{ V}$	$\text{---} \parallel \text{---} 500 \text{ V}$	$\text{---} \parallel \text{---} 400 \text{ V}$	

The manufacturer reserves the right to change the design and specification without prior notice or warning.

1F4/1F8